

Parts List			
ITEM	PART #	DESCRIPTION	NOTES
1	K1612	Series 12 Hinge Body	Assembly
2	K1632	Bleed Retainer	Assembly
43	5280	Hinge Screw	Drill 11/32" Pilot Hole
44	5230	Closure Screw	Drill #10 Counter Sink

Ship To:

Order #:

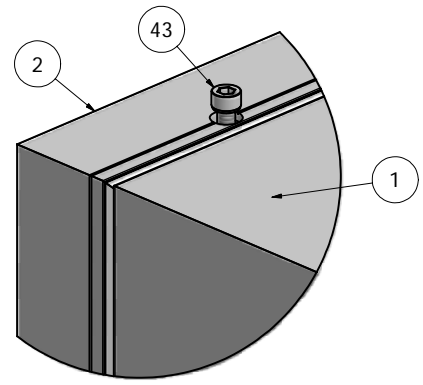
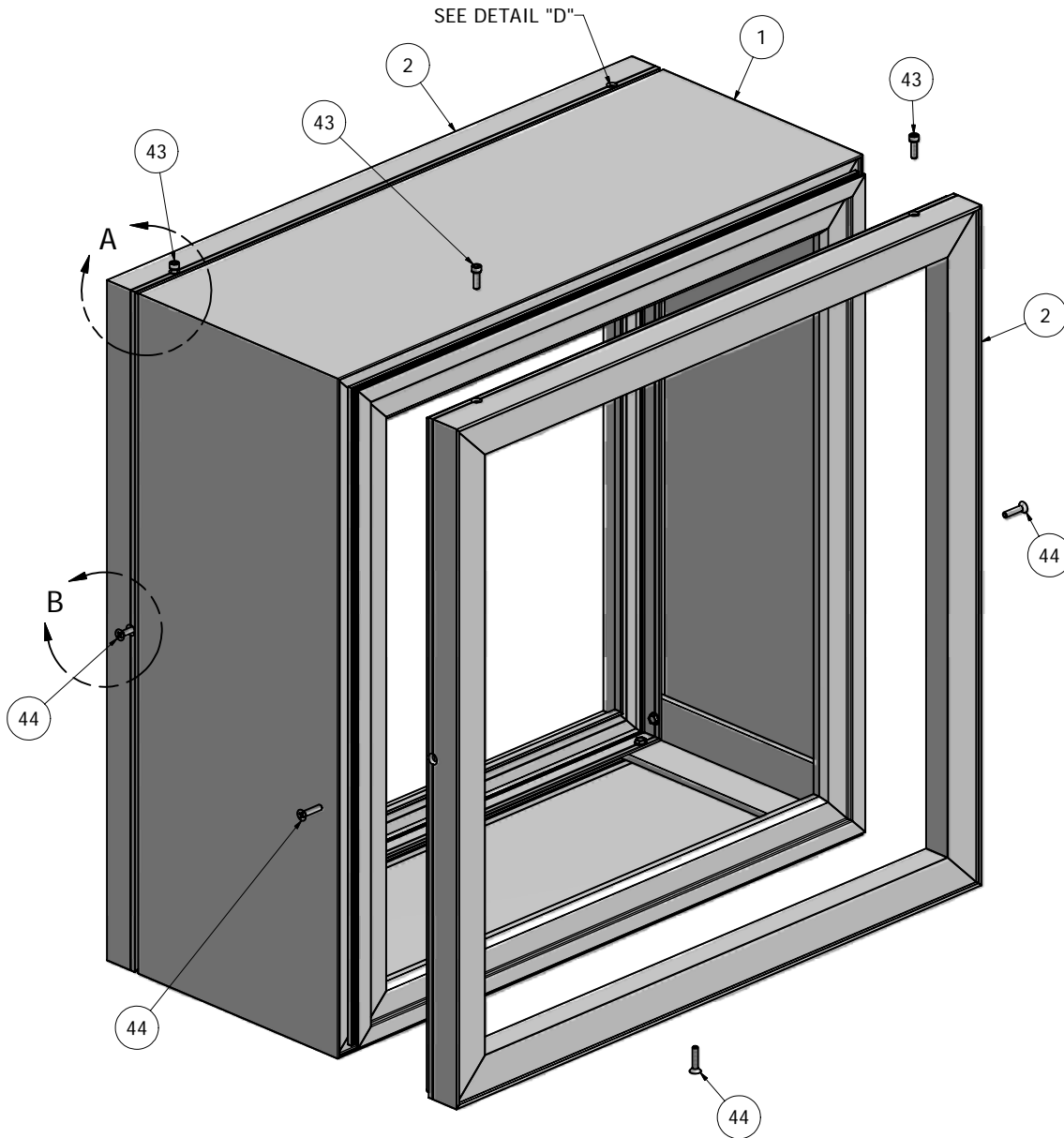
D

C

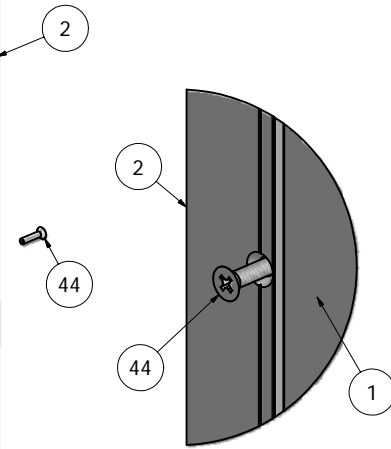
B

A

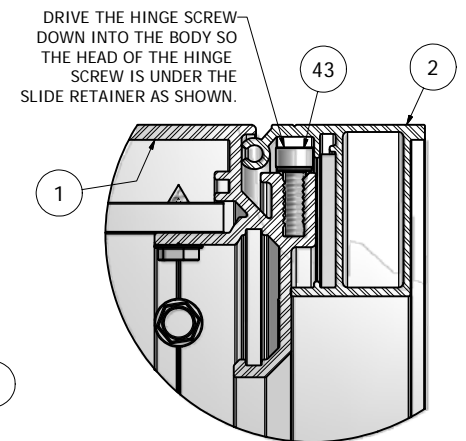
A



DETAIL A



DETAIL B



DETAIL D

**NOTE: PRE-CUT KITS ARE NOT PRE-DRILLED.**  
 (Holes shown in this drawing are for reference only.  
 Drilling of pilot holes are to be done by fabricator.)

THIS DRAWING WAS CREATED AT NO CHARGE TO ASSIST YOU IN VISUALIZING OUR PROPOSAL. THE DRAWING HEREIN IS THE PROPERTY OF SIGNCOMP. PERMISSION TO COPY OR REVISE THIS DRAWING OR TO USE THIS DRAWING FOR PRODUCTION IS STRICTLY PROHIBITED AND CAN ONLY BE COPIED, REVISED OR USED FOR PRODUCTION WITH THE EXPRESSED WRITTEN PERMISSION OF SIGNCOMP.				
DRAWN	1/19/2009	<h1>SignComp</h1>		
Steve				
CHECKED				
QA				
MFG		TITLE		
APPROVED		Series 12 Hinge Body - Bleed Retainer - Assembly		
		SIZE	DWG NO	REV
		C	K1612/32	
		SCALE	SHEET 1 OF 1	

4

3

4

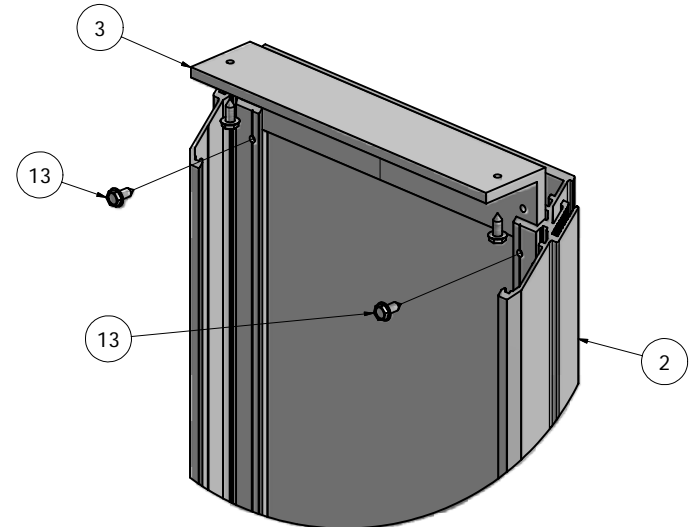
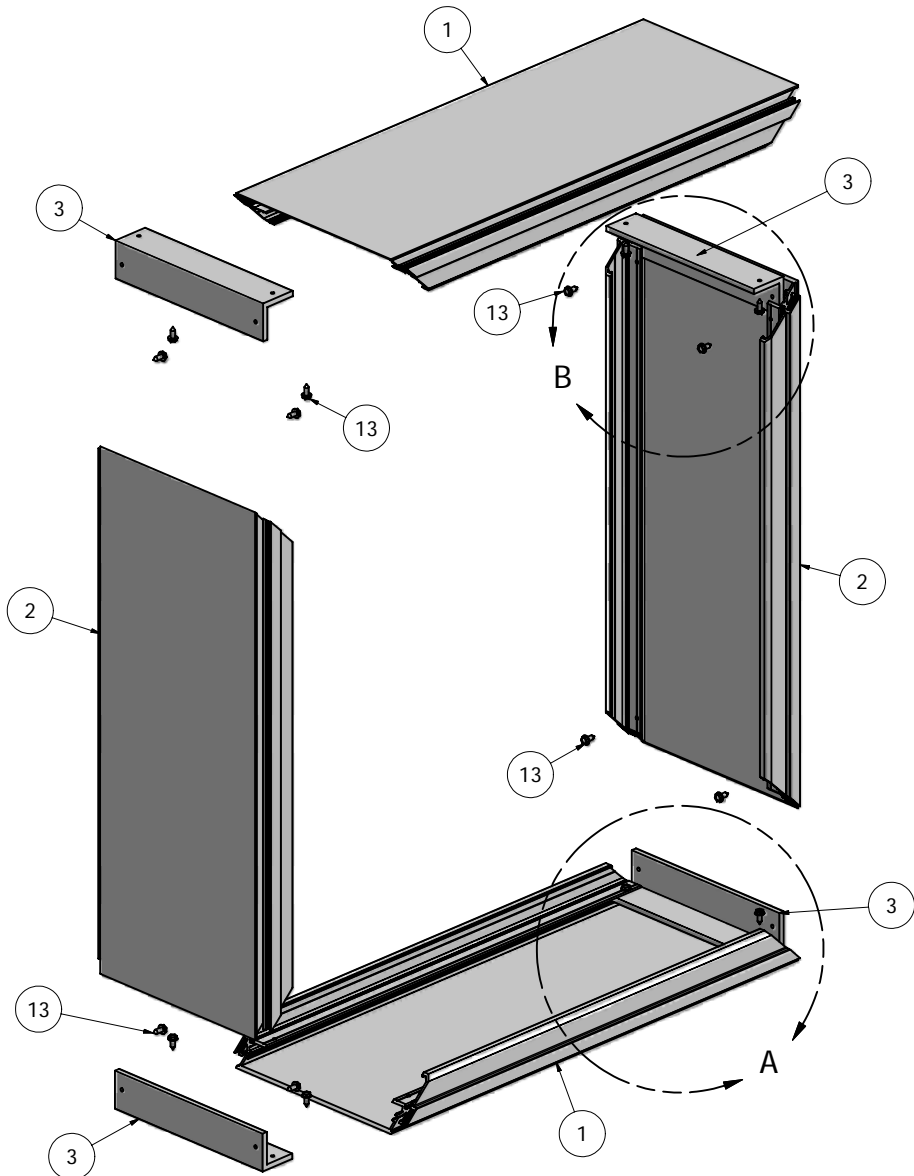
2

1

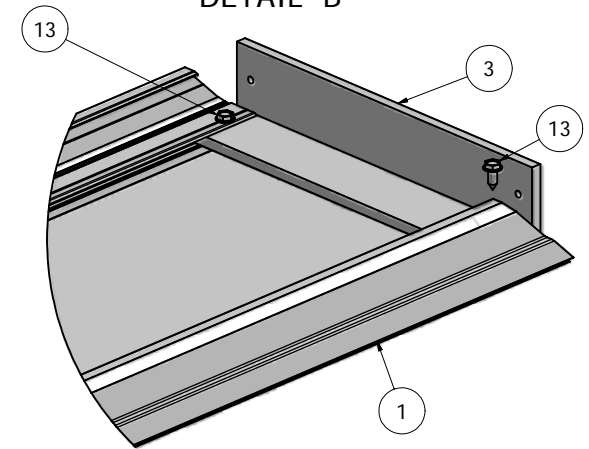
Parts List			
ITEM	PART #	DESCRIPTION	NOTES
1	1612	Series 12 Hinge Body	Top & Bottom
2	1612	Series 12 Hinge Body	Sides
3	5342	Series 12 Hinge Body Corner Angle	
13	5218	Corner Angle Screw	Drill 5/32" Pilot Hole

Ship To:

Order #:



DETAIL B



DETAIL A

**NOTE: PRE-CUT KITS ARE NOT PRE-DRILLED.**

(Holes shown in this drawing are for reference only.  
Drilling of pilot holes are to be done by fabricator.)

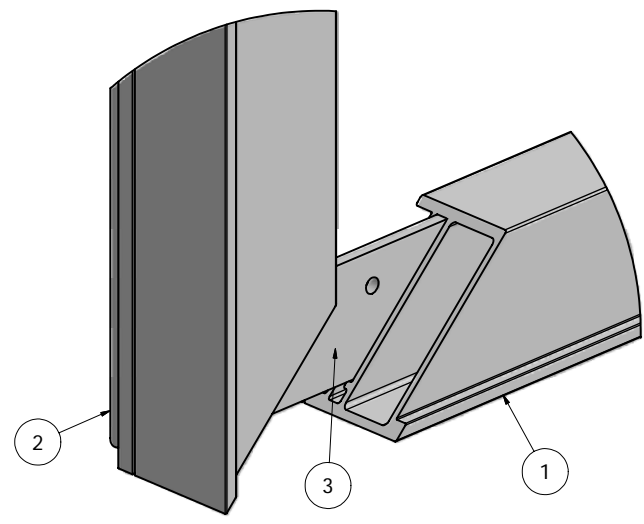
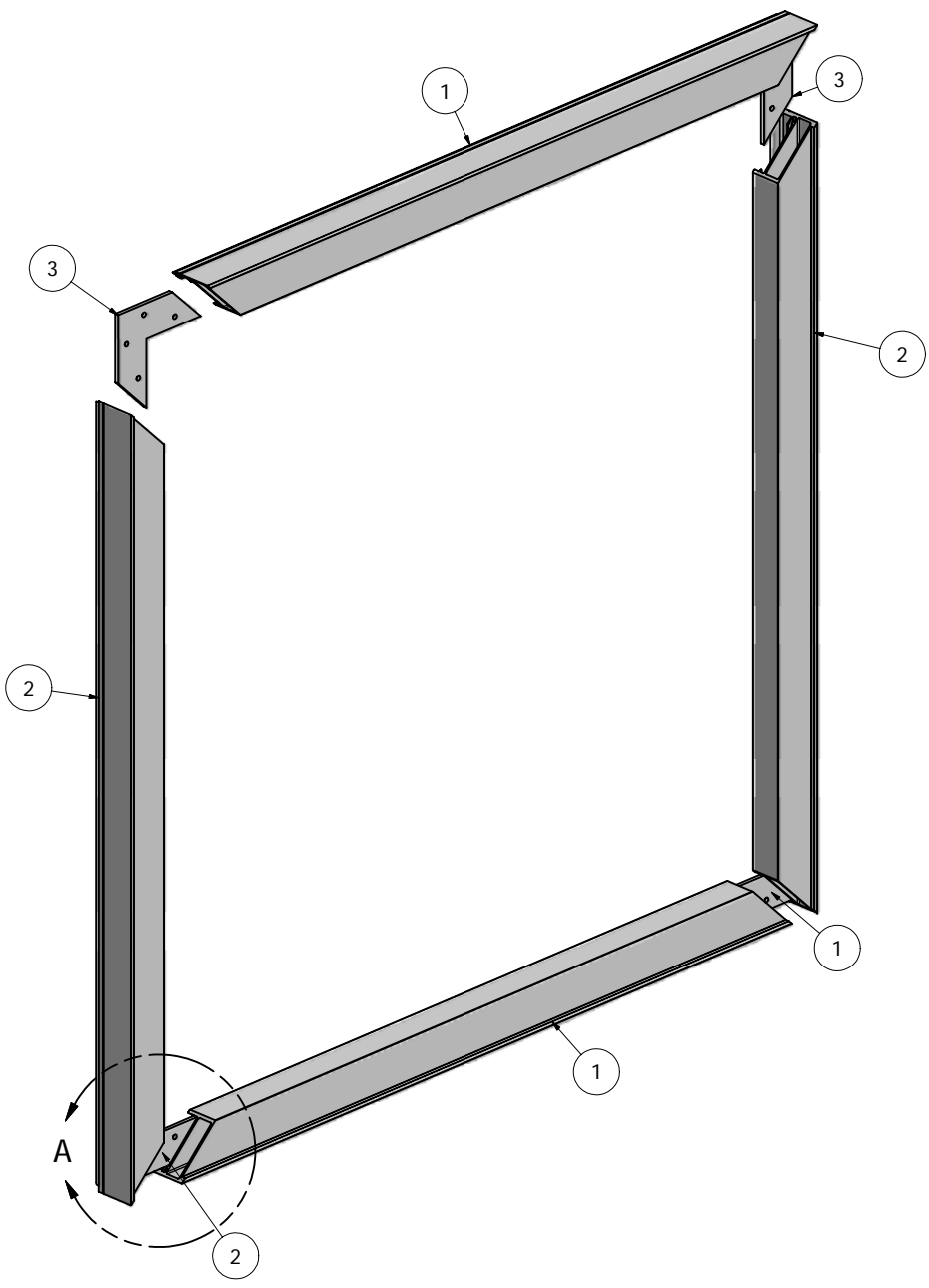
THIS DRAWING WAS CREATED AT NO CHARGE TO ASSIST YOU IN VISUALIZING OUR PROPOSAL. THE DRAWING HEREIN IS THE PROPERTY OF SIGNCOMP. PERMISSION TO COPY OR REVISE THIS DRAWING OR TO USE THIS DRAWING FOR PRODUCTION IS STRICTLY PROHIBITED AND CAN ONLY BE COPIED, REVISED OR USED FOR PRODUCTION WITH THE EXPRESSED WRITTEN PERMISSION OF SIGNCOMP.

DRAWN Steve	12/22/2008	<b>SignComp</b>	
CHECKED			
QA		TITLE Series 12 Hinge Body - Assembly	
MFG		SIZE C	DWG NO K1612
APPROVED		SCALE	REV
		SHEET 1 OF 1	

Parts List			
ITEM	PART #	DESCRIPTION	NOTES
1	1632	Bleed Retainer	Top & Bottom
2	1632	Bleed Retainer	Sides
3	5210	Corner Key	Pre-Punched

Ship To:

Order #:



DETAIL A

**NOTE: PRE-CUT KITS ARE NOT PRE-DRILLED.**  
 (Holes shown in this drawing are for reference only.  
 Drilling of pilot holes are to be done by fabricator.)

THIS DRAWING WAS CREATED AT NO CHARGE TO ASSIST YOU IN VISUALIZING OUR PROPOSAL. THE DRAWING HEREIN IS THE PROPERTY OF SIGNCOMP. PERMISSION TO COPY OR REVISE THIS DRAWING OR TO USE THIS DRAWING FOR PRODUCTION IS STRICTLY PROHIBITED AND CAN ONLY BE COPIED, REVISED OR USED FOR PRODUCTION WITH THE EXPRESSED WRITTEN PERMISSION OF SIGNCOMP.

DRAWN	12/22/2008	<h1>SignComp</h1> <p>Bleed Retainer - Assembly</p>		
CHECKED				
QA				
MFG				
APPROVED				
		SIZE	DWG NO	REV
		C	K1632	
		SCALE	SHEET 1 OF 1	